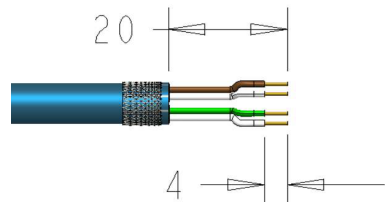


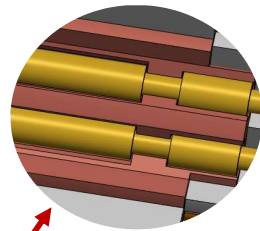
Instruction Operating

-Suitable type

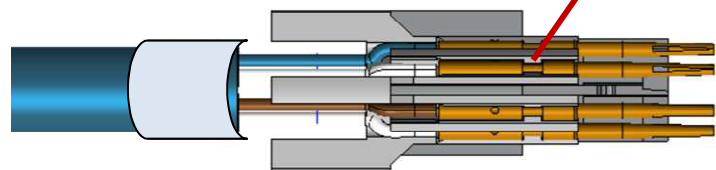
M12-MC08X-T-D8-SH
M12-FC08X-T-D8-SH
M12-MC08X-CCT/R-M16-D8-SH
M12-FC08X-CCT/R-M16-D8-SH



① Cable stripping

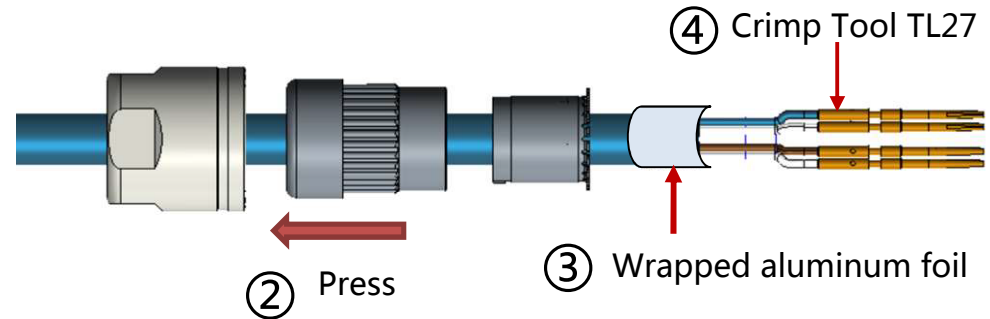
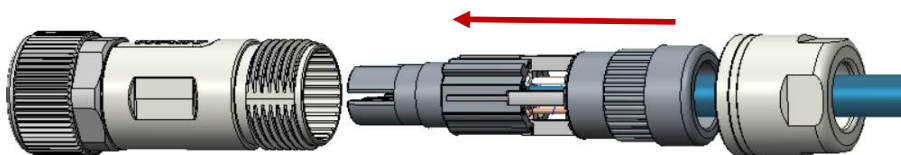


⑤ "Click"

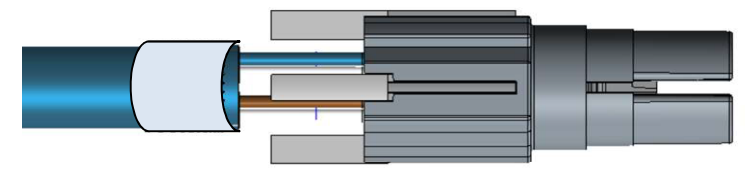


Insert the pin according to the wiring diagram

⑦ Install the insert, seal and nut in turn



⑥ Insert body



⑧ Installation complete

